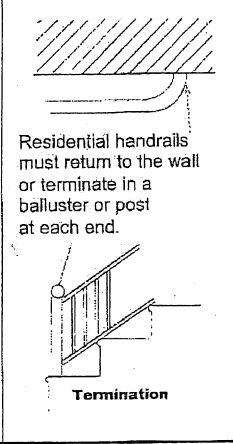
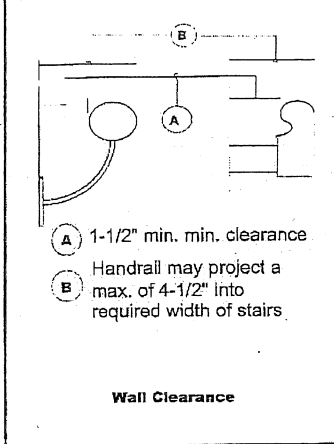
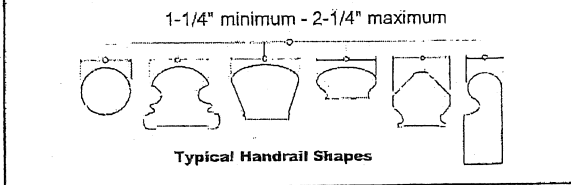
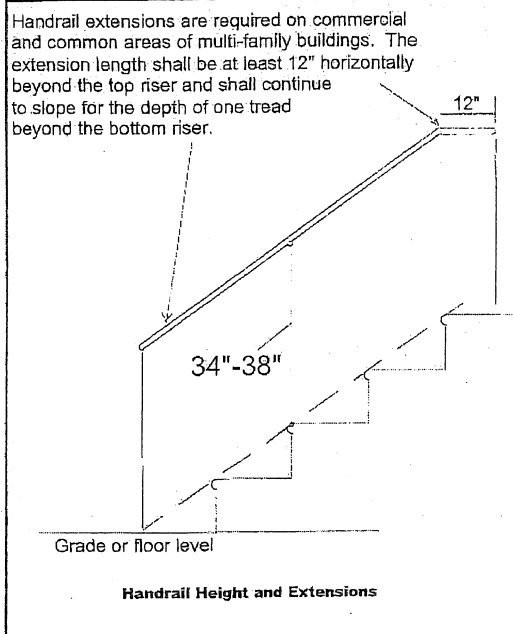
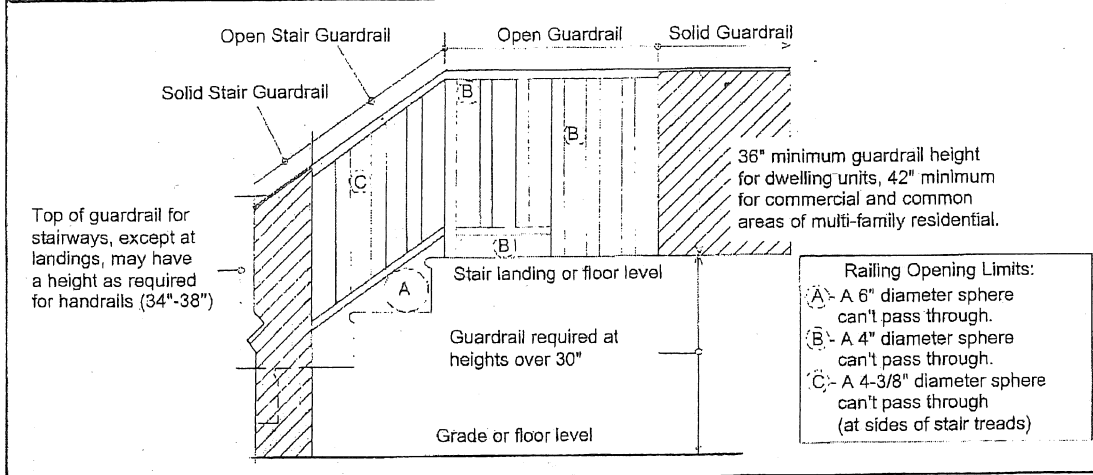


Standard Construction Details Standard Guard / Hand Rails

IBC 1009.11, 1012 / IRC R311.5.6



Residential Stairways: 2006 IRC Section R311.5
 Size: Min. 36" width, Max. 7 3/4" rise, Min. 10" run
 Headroom: Maintain minimum 6'8" clearance
 Landings: Minimum 36" in the direction of travel
 Handrails: If 4+ risers, 34-38" height, 1 1/4"-2" handgrip
 Guardrails: Min. 36" height, <4" sphere max. spacing

Risers, The greatest riser height within any flight of stairs shall not exceed the smallest by more than 3/8 inch.

Treads, The stair treads shall be of uniform size and shape, the largest tread run within any flight of stairs shall not exceed the smallest by more than 3/8 inch.